



Vac-a-Scope System

Safe storage and transport of flexible endoscopes



GETINGE
VAC-A-SCOPE

GETINGE
VAC-A-SCOPE
REF 2002-05C0
MAQU...
2030-04-05

Safe, simple, and secure

The cost-effective solution for endoscope storage

Healthcare-acquired infections are costly.¹ The Vac-a-Scope System can help to protect your flexible endoscopes from contamination or damage.

Easy to use, this benchtop endoscope packaging system prepares and stores endoscopes, so they'll be ready when you need them.

The patented system preserves instrument integrity from reprocessing through to the procedure room. It allows the endoscopes to be securely stored and transported for use when needed. Endoscopes can be packed for up to 30 days² without taking up valuable space in your drying and storage cabinet.

The system consists of:

- A vacuum unit
- Process monitoring system
- A selection of different trays to support the endoscope
- Bags to protect clean endoscopes from contamination
- Bags to protect staff and the working environment from dirty endoscopes

Assured safety

The Vac-a-Scope System is designed with patient safety in mind. It preserves scope integrity by removing air – without introducing additional contaminants that could compromise safety or cleanliness.

- Independently type tested to ensure against microbiological growth for up to 30 days²
- A tamper-proof, triple-sealed vacuum bag ensures the integrity of the endoscope until it is opened for use on a patient
- Protects the endoscope during transport between the reprocessing area and procedure room
- Independent monitoring system (IMS) automatically monitors and documents the process

Easy to use

When protecting against cross-contamination, a simple system is best. The Vac-a-Scope System requires minimal training – simply load the vacuum bag with the endoscope in its tray, scan, and go.

- An automated process reduces the risk of user error
- Easy to load and package
- Simple processes reduce staff time, freeing them to focus on other tasks

The moulded tray for long endoscopes secures the scope for storage and transport.

Ready when needed

The Vac-a-Scope System ensures that high-level disinfected endoscopes are ready when you need them.

- Endoscopes can be stored in a convenient location for immediate access
- Ideal for emergency procedures

Cost effective

Reprocessing clean endoscopes can be costly.³ Accurate systems and secure storage can minimize the frequency of unnecessary reprocessing, saving time and money. The system's small footprint fits easily into your department.

- Minimize wear and tear from reprocessing and transport
- Maximize the lifespan of the endoscope
- Reduce consumable costs – no additional chemicals are needed for the Vac-a-Scope System



A full range of accessories

The complete system to meet your needs

Specially designed accessories work seamlessly to assure safe storage and transportation of flexible endoscopes.



Large and extra-large flat trays

Protect endoscopes against bending and damage during transport.



Moulded trays

Various moulded trays are available, specially designed to protect the endoscope.



Red bags

Red bags are available to protect staff and contaminated endoscopes during return transport.



Transport cases

Transport cases are available to provide protection and easy transport of a single endoscope.

Protecting patients, optimizing care

Ensure a clean and disinfected scope, every time

As the use of endoscopes increases, scope reprocessing plays an increasingly important role in your fight against healthcare-acquired infections.

The Getinge endoscope reprocessing portfolio offers a consistent, accurate, and cost-effective solution that supports your “zero tolerance” policies for cross-contamination.

Getinge Services - Caring for those you care

We provide a wide array of services which can be combined to meet the specific needs and demands of your facility.

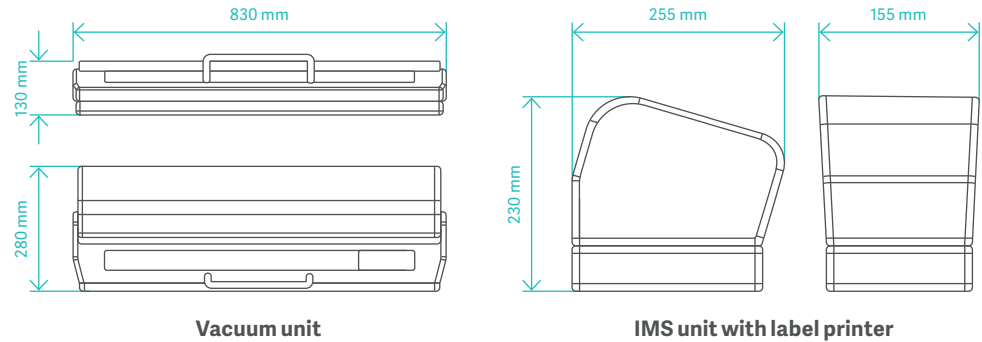
Our services teams are committed to help hospitals manage their operations easily, quickly and efficiently. From ensuring maximum equipment performance to supporting you with planning and realization of a whole new department. We have the expertise and resources to support you all the way – contributing to better patient care and hospital efficiency.

Contact your local Getinge representative to learn more about our endoscope reprocessing portfolio or go to www.getinge.com



Technical data

Dimensions



Vac-a-Scope accessories

Description	Art. no.
Moulded tray – large	200020B0
Moulded tray – small	200020A0
Flat tray – 647 x 470 mm	200010C0
Flat tray – 520 x 370 mm	200010B0
Protection tunnel	200015B0
Liner for moulded trays, extra-large flat and large flat tray	200025B0
Vacuum bags – 800 x 600 mm	200005C0
Red return bag large – 800 x 600 mm	200032B0
Red return bag small – 600 x 600 mm	200032A0
White self-adhesive labels for the label printer	200001A0
Transport case	200035A0
Clean transport case identifier (white)	200031A0
Dirty transport case identifier (red)	200031B0

The Vac-a-Scope is type tested with the specially designed trays, vacuum bags, and liners listed here. Using alternative accessories could put your patient at risk.

Tray compatibility

	Moulded trays	Extra-large flat trays	Large flat tray
Tray liners	•	•	•
Extra-large vacuum bag	•	•	•
Red return bag (600 x 600 mm)	•	–	•
Transport case	•	–	–

Weight

Vacuum unit	19.5 kg
IMS and printer	2.5 kg

References

1. The hidden cost of colonoscopy including cost of reprocessing and infection rate: the implications for disposable colonoscopes Gut; August 2019; Larsen S, Kalloo A, Hutfless S
2. In alignment with EN 16442 : 2015
3. A Glimpse at the True Cost of Reprocessing Endoscopes: Results of a Pilot Project. Communique; January / February 2017: 63-78; Ofstead CL, Quick MR, Eiland JE, Adams SJ.



This document is intended to provide information to an international audience outside of the US.

This information is aimed exclusively at healthcare professionals or other professional audiences and are for informational purposes only, is not exhaustive and therefore should not be relied upon as a replacement of the Instructions for Use, service manual or medical advice. Getinge shall bear no responsibility or liability for any action or omission of any party based upon this material, and reliance is solely at the user's risk.

Any therapy, solution or product mentioned might not be available or allowed in your country. Information may not be copied or used, in whole or in part, without written permission by Getinge.

The products presented may be pending regulatory approvals to be marketed in your country. Contact your Getinge representative for more information.

Manufacturer: Maquet GmbH · Kehler Str. 31 · 76437 Rastatt · Germany · +49 7222 932-0 · info@getinge.com

www.getinge.com