



Maquet Otesus Operating Table System

A reliable system that improves OR utilization



Trusted quality with modern features

to improve workflows and safety

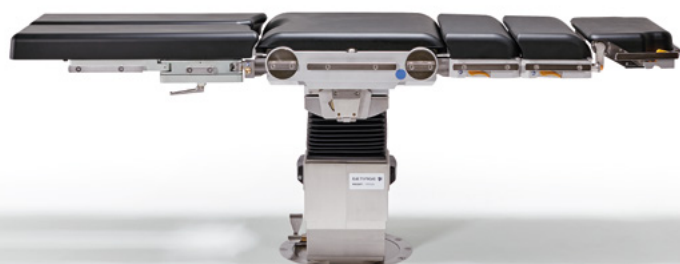
Maquet Otesus is the evolution of the proven Maquet Alphamaquet 1150 Operating Table System, which has been on the market for more than two decades. With Maquet Otesus, Getinge has applied its knowledge, resources, and expertise to optimize OR utilization and improve patient safety.

Getinge is built on a genuine compassion for people's health, safety, and wellbeing. Founded in 1904 with roots dating back to 1838, Getinge has grown organically and through acquisitions to become a global market leader.

Our portfolio offers solutions and support throughout the clinical pathway, and features well-known and dependable product brands, including Maquet OR

Table Systems that have been trusted for more than 50 years.

Our experience shows that an efficient turnaround between surgeries can improve OR utilization, allowing more patients to be treated each day. The Maquet Otesus Operating Table System enables surgical staff to position patients onto the operating table top right from the patient transfer area.



Maquet Otesus Operating Table System

Explore new possibilities

Maquet Otesus features a number of key enhancements developed in collaboration with OR teams, while retaining many tried-and-trusted features of its proven predecessor – minimizing the need for training.

The modular operating table system includes a column, a hand control, a user-friendly transporter, and a wide variety of table tops and accessories. Surgical staff can tailor the table to each surgery and patient by simply swapping a few modules.



Broad compatibility of the Maquet Otesus Table Tops and Maquet Otesus Table Columns enable full use of your existing resources.

Maquet Otesus is the result of a continuous improvement journey spanning many decades. It has been updated to meet the comfort, safety and flexibility requirements of multiple surgical disciplines in the modern OR.

A future-proof investment that grows with changing requirements

As today's hospitals are under increasing cost pressure, replacing an entire operating table system is not always a viable option. The compatibility of Maquet Otesus allows to completely renew or gradually replace equipment without straining budget. Maquet Otesus is a future-proof investment that grows with your hospital's changing requirements. Accommodating new technologies, procedures, or disciplines is as simple as adding a new table top or accessory.

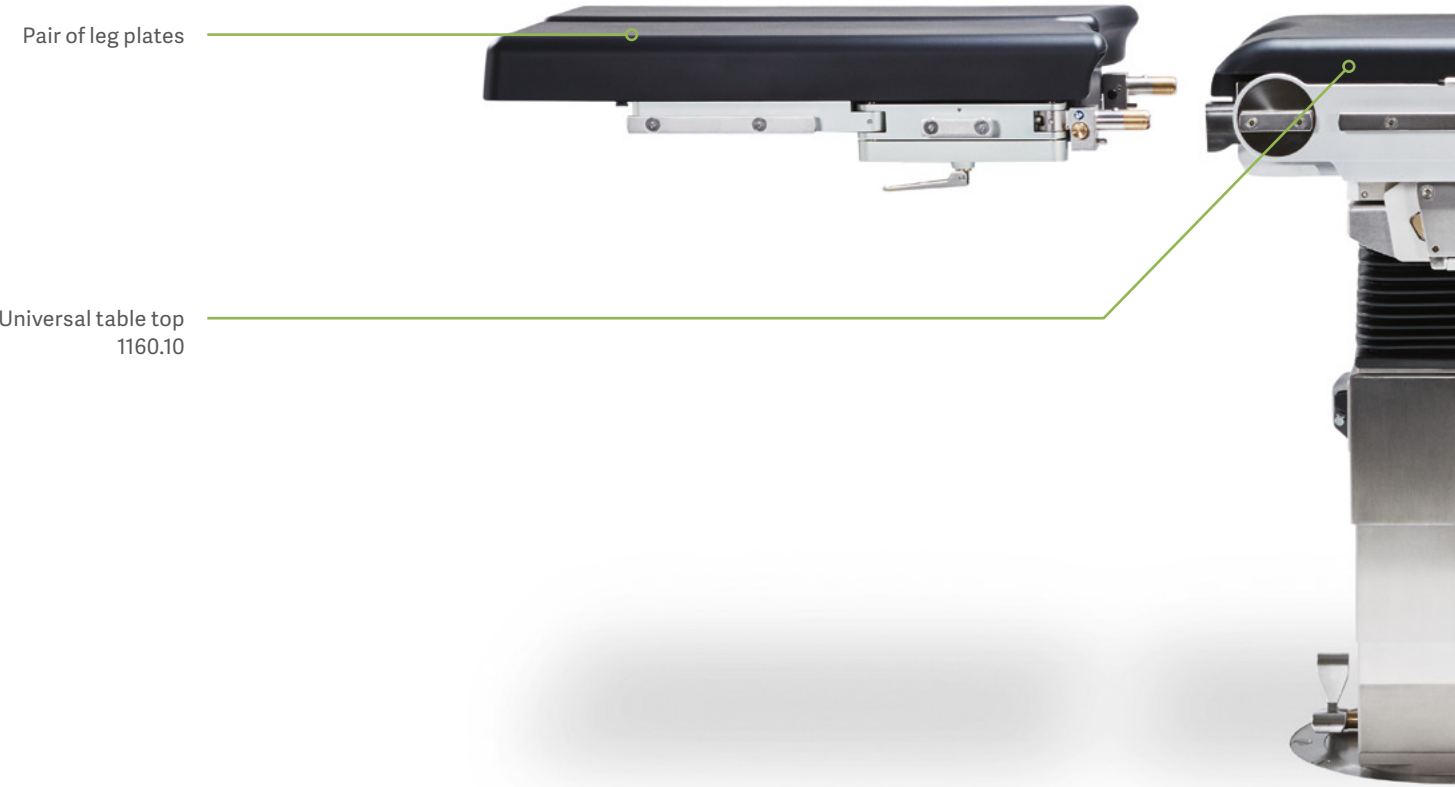
Unparalleled durability and flexibility

The Maquet Otesus Table Column provides the foundation for the OR experience. Unparalleled durability makes it a solid long-term investment for your hospital. It provides broad positioning flexibility to meet the ergonomic needs of different surgeons for different procedures. With four columns to choose from, hospitals can customize the table solution that works best for their unique needs.



The new Maquet Otesus Table Tops

Trusted quality with modern features



Pair of leg plates

Universal table top
1160.10



Universal table top 1160.30 with 6 motors simplifies table configuration



Increased opportunities for intra-operative imaging with carbon-fiber table top 1160.16AX, available in three variants



Soft and hygienic cushions prevent nosocomial infections and improve patient safety



Efficient table operation with the Smart remote control

Maximize the efficiency of your surgical theater

In the OR, time is money. Improvements in efficiency can have a dramatic impact on the hospital's bottom line. But these improvements must also increase the safety of patients and staff. With the Maquet Otesus Operating Table System, you can optimize your workflow and improve throughput to maximize the efficiency of your surgical theater.



Patient transfer area

Smart design of Maquet Otesus Table Tops reduce setup time and improve surgical workflow.

The Maquet Otesus Operating Table System supports your workflow right from the beginning. With Easy Click interfaces, it's easy to reduce setup time. Simply click the elements into the surface to configure the table top to the surgeon's specifications. Bracket interfaces allow for quick and easy setup of table components. Patients can remain on the table top throughout the whole procedure without repositioning – from airlock through recovery.

The Maquet Otesus Table Tops can be easily removed from the Maquet Otesus Table Columns for transport throughout the whole surgical area. As soon as patients arrive in the transfer area, they can directly be positioned onto the table top and remain on it until they leave the recovery room. This makes repeated patient transfers unnecessary.





Patient transport between rooms

Maneuvering tables can be physically demanding. Maquet Otesus Transporters move smoothly and safely to reduce physical effort.

The Maquet Otesus Transporter allows surgical staff to maneuver patients with minimal physical effort. It simplifies the reconnection and disconnection of the table tops to the Maquet Otesus Column to streamline the workflow in the surgical theater.

The versatile, motorized Ergo Drive Transporter is a safe, efficient, user-friendly solution that reduces the strength needed during manual transport and transfer.

Advanced Autodrive functionality and individual speed regulation make it easy to maneuver and control the transporter. Large wheels enable precise steering with minimal effort. The table top can be easily transferred to the Maquet Otesus Column from the head or foot position with almost no physical effort when using the hand control or foot pedal.





Inside the OR

Rapid positioning for accelerated workflow

Patient positioning and intraoperative repositioning in the OR can be very time-consuming. Standard and user-defined table preferences that can simply be accessed using the Smart Control Remote allow for faster and easier repositioning. Showing all key patient positioning information on the display also improves the documentation process.

All key operations at your fingertips

The Smart Control places all key table operations right at your fingertips. Bi-directional communication with the column provides real-time information on the current table configuration. The Smart Control continuously receives and displays the table set up information, which saves time, enhances safety, and simplifies documentation.



Tegris creates an improved working environment

Tegris is the operating room (OR) integration system that delivers video and data integration for a simpler, safer and more streamlined working environment, enabling OR staff to focus on the best possible care for patients.





CSSD

Hygienic design reduces nosocomial infections

Preventing hospital-acquired infections can not only improve patient outcomes, but reduce the burden on the health-care system. That's why we keep hygiene in mind in all product development, improving cleaning efficiency from the OR to the CSSD.

Implement highest hygiene standards

To minimize hospital acquired infections, efficient and thorough cleaning is essential. Maquet Otesus is designed with smooth column surfaces and Velcro-free table top cushions. The highest hygiene standards can be implemented with our machine-washable accessories, transporters and table tops.



Integrated Sanitized® hygiene function

Polished stainless steel surfaces reduce the adherence of bacteria and the growth of microorganisms. Handles of the Maquet Otesus Transporters and the wrinkle covering are treated with the antibacterial Sanitized® hygiene function, reducing bacterial growth on the surface.



Keeping patients safe

Minimizing risks from complications

The OR table can play a critical role in patient safety initiatives. From effective pressure distribution to gravity-assisted surgical techniques, the right table design improves outcomes and prevents complications that delay recovery.

Maximum Trendelenburg / tilt combination

Maquet Otesus provides a great Trendelenburg / tilt combination that allows gravity to assist the surgeon, naturally moving organs out of the way in procedures like laparoscopic colon surgery. This flexibility enables a broader range of surgical options that deliver better patient outcomes and faster recovery.

Recognition of table set-up

Re-adjusting the table from a normal or reverse position can sometimes lead to confusion and mistakes. A wrong interpretation of the table set up (normal / reverse) can be prevented with the Smart Control that identifies reverse and normal positioning, and adapts the intended table movement automatically.

Collision prevention

Collision dangers exist in any scenario with moving parts. Transponders can help prevent collisions and protect both your equipment and the patient. Maquet Otesus tracks the transponders, and issues a warning when the accessories are on a collision course with the column or floor – even if the table top is positioned in reverse.

Supported patient breathing

Patients with respiratory conditions benefit from upright transport that limits the body weight pressing on the lungs and supports and stabilizes circulation. With the Maquet Otesus Table Tops, patients can be positioned in a more comfortable upright position during transportation and recovery.

Accurate table movements

Precise and controlled table movements protect patients and improve accuracy during intraoperative readjustments. These precision movements are especially important in microscope-guided MIS procedures, such as neurosurgery.

Improved imaging

Advanced intraoperative imaging techniques require a table that's user-friendly and radiolucent. Extended longitudinal shift and carbon fiber elements make Maquet Otesus uniquely able to support crucial diagnostic images.

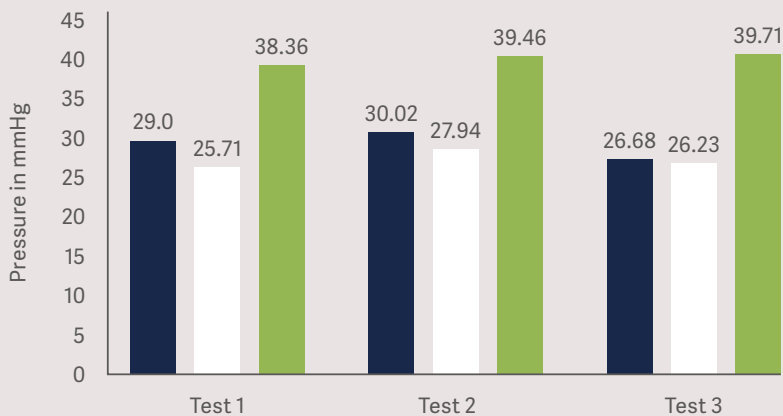
Comfortable, hygienic cushions

Soft Integral Protective Comfortable (IPC) cushions offer excellent pressure relief performance that is comparable to Soft Foam Core (SFC) cushions. An inner core sandwich design connects 20 mm wear protection and 60 mm visco-elastic foam to a carrier plate, which is then covered with a spray skin. The hygienic, Velcro-free pads are waterproof. Certain variants of the pads can be mechanically decontaminated and disinfected.

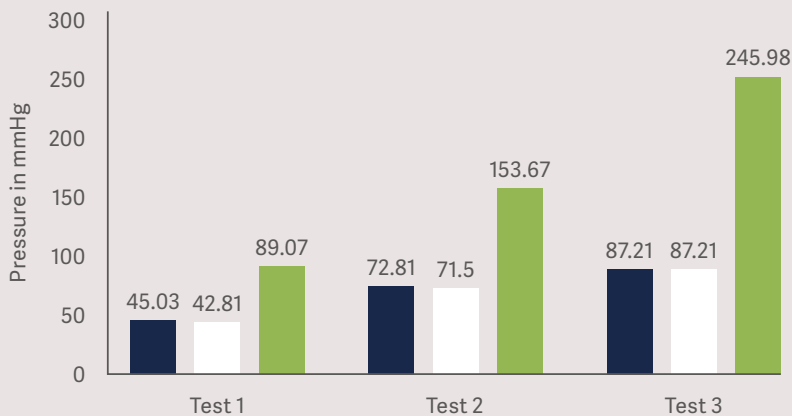


Comparison between IPC, SFC and PUR padding

Mean value of average pressure (sacrum)



Mean value of peak pressure (sacrum)

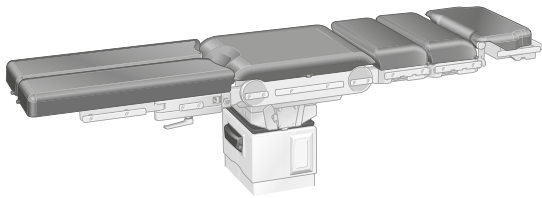


- IPC cushion
- SFC cushion
- PUR cushion

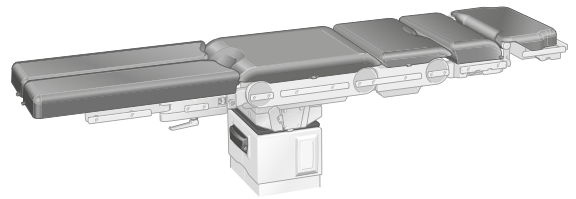


Make your OR suitable for every procedure

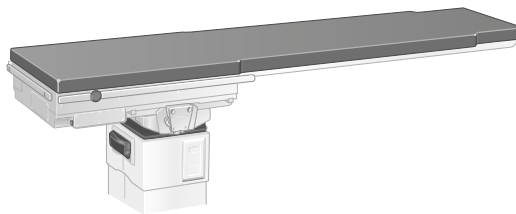
A wide variety of table tops and accessories are available, offering the flexibility to choose the right setup for the desired procedure.



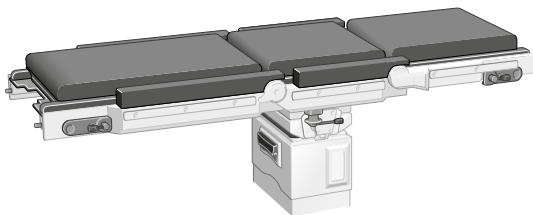
Universal table top 1160.10 with two motorized joints



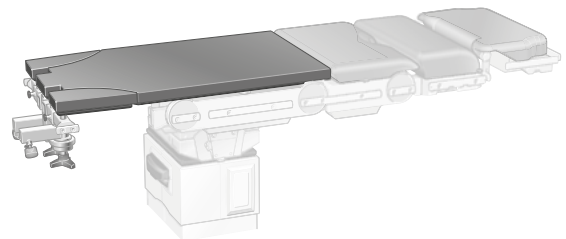
Universal table top 1160.30 with three motorized joints



Carbon fiber table top 1160.16AX



Transfer table top 1150.13



Extension device 1160.59

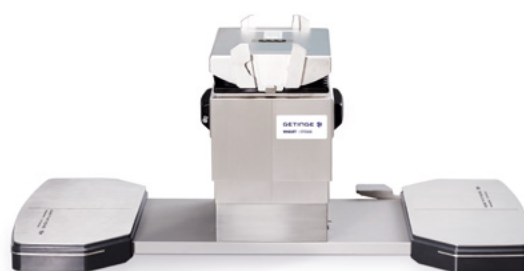
Increasing comfort and safety for surgical staff

Even as surgical procedures are becoming more complicated, the number of surgical staff in hospitals is decreasing. The Maquet Otesus OR Table System improves positioning for surgeons, and helps keep staff safe by minimizing injury from protruding connections.



Ergonomic working environment

Continuous flush arrangement of the side rails of the Maquet Otesus Table Tops contributes to a safe and ergonomic working environment.



Improving patient access

An innovative narrow design and flat column base help to improve workplace ergonomics by maximizing flexibility, improving access, and enhancing workflows in the OR.



Comfortably work while seated or standing

With a broad range of heights, Maquet Otesus can meet the ergonomic needs of the surgeon in various procedures. This reduces surgeons' fatigue, and improves access to patients of all sizes, even in procedures requiring very low positions – such as spine or nephrology procedures.

Expanded patient positioning possibilities

– with a broad range of angles and tilts



Laparoscopic bariatric surgery



Shoulder surgery in beach chair position



Improved intraoperative imaging with extended longitudinal shift



Kidney procedures

Maquet Otesus significantly expands the patient positioning possibilities by offering optimal reverse or normal positioning together with a wide range of angles for Trendelenburg and lateral tilts. This delivers increased access in various surgical positions and opens up new opportunities for laparoscopic procedures such as sigmoid resection. The extended longitudinal shift and carbon fiber elements make Maquet Otesus able to generate intraoperative images for improved diagnostics. This reduces surgeons' fatigue, and improves access to patients of all sizes, even in specialized positions – such as beach chair and lateral positions.



Laparoscopic colon surgery



Improved access for ophthalmology, ENT, oral and facial surgery



Gynecological and urological surgery



Conventional cholecystectomy

Expanding your surgical suite capabilities

Carbon Fiber Table Top 1160.16AX

Versatility for a wide range of applications and patients

- Patient weight up to 250 kg is supported without restrictions regarding patient orientation and lateral shift.
- Usable as a mobile table, e.g. in ambulatory surgery centers, or in combination with a stationary system.
- Three versions available: length, short to long and with or without head rest interface.
- Lowest height setting permits surgical comfort, even in neuro and spine surgery.

Protection for surgical teams and patients

- Reduced X-ray exposure due to new CF technology: - 48% Al/Eq compared to the 1150.16 CF plate
- Excellent 360° radiolucent length of up to 2,000 mm (with an overhang of up to 2,100 mm).
- Free-float feeling joystick: intuitive and precise control of direction and speed during repositioning, with force-controlled speed adjustment.
- Enhanced safety during neurosurgery or robotic-assisted surgery through locking system.
- Free maneuvering of the table top under imaging by transversal shift of ± 150 mm, longitudinal shift up to 1,200 mm and Trendelenburg/lateral tilt of up to $\pm 25^\circ$, minimizing the need to reposition the imaging equipment.

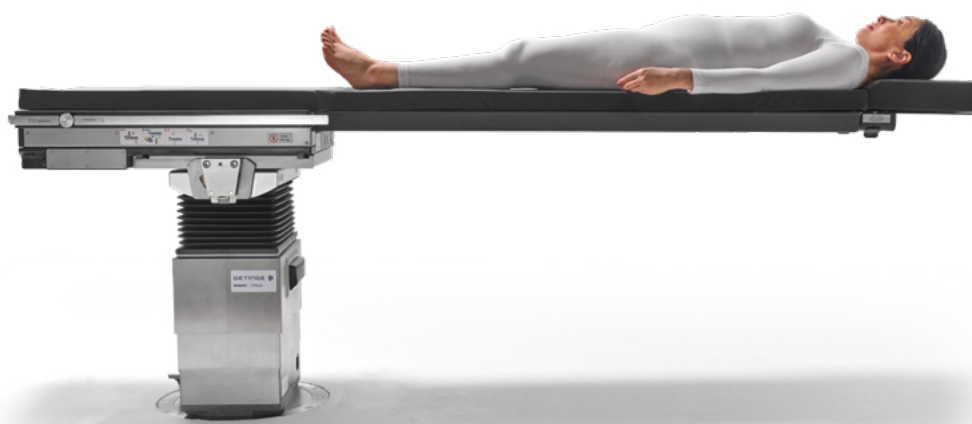
Possible applications:

- Cardiovascular surgery
- Vascular and endovascular surgery
- Interventional radiology
- Neurosurgery
- Orthopaedics
- Traumatology and spine
- Pain management



Imaging-based procedures require specialized infrastructure for precise visualization and versatility in patient positioning, adjustment range and speed control. That's why Getinge developed a carbon fiber table top with intuitive and precise control possibilities to provide unrestricted radiolucency for pelvic, cardiovascular, orthopedic, and traumatology procedures.

The fully 3D radiolucent Maquet Carbon Fiber Table Top enhances interdisciplinary functionalities, expanding the capabilities of your operating room while protecting both surgical staff and patients.



Economic: One CF table top – many options

- The CF table top is compatible with your existing 1160 column (1160.01A0/B0/C0/D0).
- Compatibility with existing Maquet accessories minimizes costs while offering flexibility for different patient positioning.
- The table top can be swiftly repositioned in a matter of seconds, resulting in significant time savings.



Technical specifications

Compatibility and construction features

Compatibility

- Stationary Maquet Otesus 1160 Columns are compatible with 1150 and 1120 built-in base plates
- Maquet Otesus 1160 Columns are compatible with all Maquet Alphamaquet 1150 and selected 1140 Table Tops
- Maquet Otesus 1160 Columns are compatible with Maquet Otesus 1160 and 1146 Transporters
- Maquet Otesus 1160.10 and 1160.30 Table Tops are compatible with Maquet Otesus 1160 Columns and Maquet Alphamaquet 1150.02 Column
- Maquet Carbon Fiber Table Tops 1160.16AX are compatible with Maquet Otesus 1160 Columns

General construction features

- Hygienic design of stainless steel components
- Transponder technology for recognition of individual table top configurations
- The [CLEAN] button moves the column into the optimal position for cleaning
- Lithium-ion powered mobile column for optimal energy supply
- Table top transfer possible either by foot pedal or hand control

Smart Control features

- Display of collision warning
- Memory function for up to 30 table top positions
- Charging status of column and hand control
- Service and error messages
- Pre-programmed positions: flex, reflex, beach chair and back-horizontal
- MRI/CT transfer position selectable
- Table lock for blocking movements
- Backlight function

Maquet Otesus Operating Table Columns

Available versions

1160.01A0	Stationary built-in column
1160.01B0	Stationary surface-mounted column
1160.01C0	Mobile column
1160.01D0	Independently maneuverable column

Motorized adjustments via hand control

Height without padding (A version) 619–1,159 mm / 24"–46"

Height without padding (B/C version) 621–1,161 mm / 25"–46"

Height without padding (D version) 628–1,168 mm / 25"–46"

Stroke height 540 mm / 21"

Trendelenburg: head down / foot down +45° / -45°

Lateral tilt +28° / -28°

Maximum combined Trendelenburg and lateral tilt 30° / 20°

Longitudinal shift (1160.10 / 1160.30 table top) 400 mm

Leg plates (1160.10 / 1160.30 table top) (individually or synchronously adjustable) 90° / 100°

Lower back plate up / down (1160.10 / 1160.30 table top) 90°

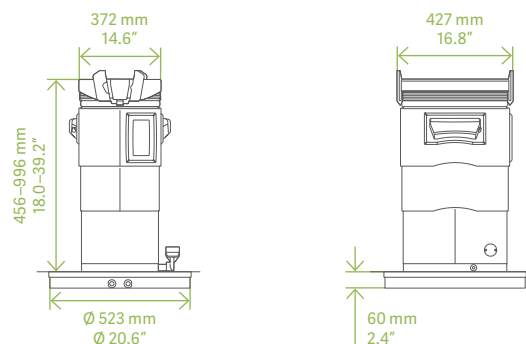
Maximum overall load 380 kg / 838 lbs

Zero position options (four pre-programmed settings)

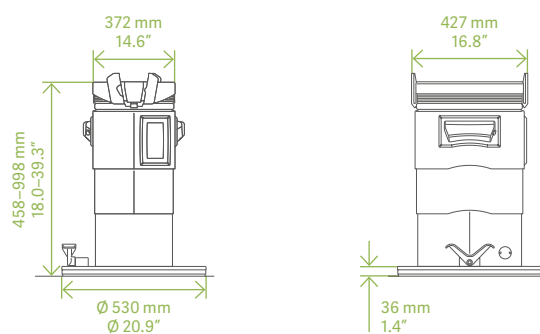
Four adjustment speeds: fast, medium, precise, very precise

Angle indicator display: for Trendelenburg, lateral tilt and back plate

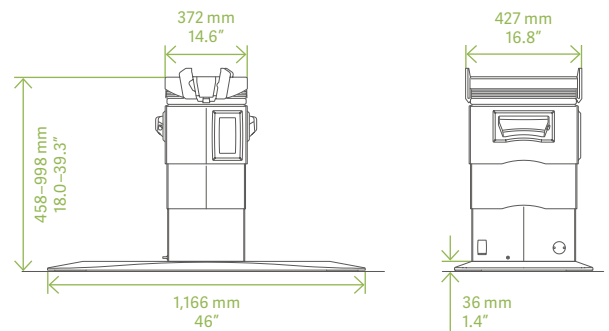
Two table lock functions: for column and / or table top



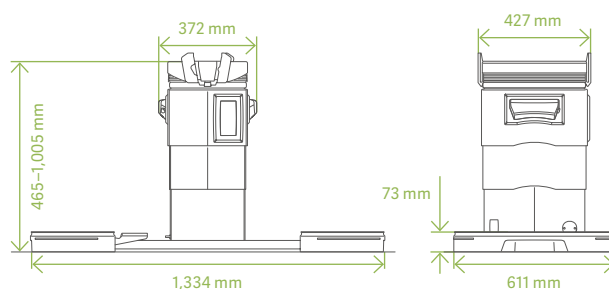
Stationary column, A version



Stationary column, B version



Mobile column, C version



Independently maneuverable column, D version

Maquet Otesus Universal Table Tops

Available versions	
1160.10A0/B0/D0 ¹	EU-side rails
1160.10G0/F0	US-side rails
1160.30A0/B0/D0 ¹	EU-side rails
1160.30 G0/F0	US-side rails

Specifications	1160.10	1160.30
Lower back up/down	90°	
Upper back up/down	N/A	90°/110°
Leg plates up/down	90°/100°	90°/100°
Longitudinal shift	400 mm	
Length without additional components	680 mm	1,025 mm
Length with head rest 1160.64, elongation plate 1160.32 and leg plate	2,075 mm	2,450 mm
With head rest 1160.64, two elongation plates 1160.32 and leg plate	2,355 mm	–
Width over side rails	590 mm	
Width	525/545 mm	
Max. load capacity with limitations according to user's manual	380 kg	
Weight without components	84 kg	114 kg

Maquet Otesus Transporters

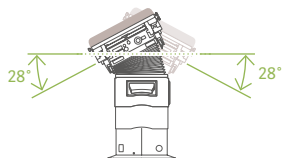
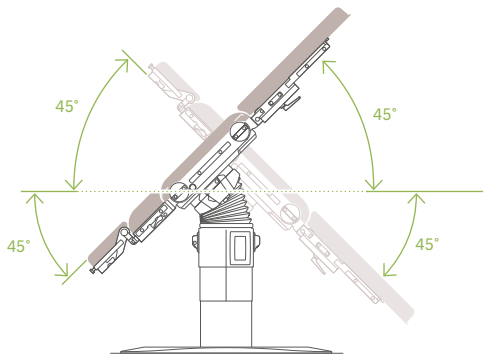
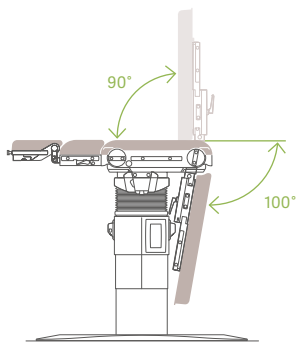
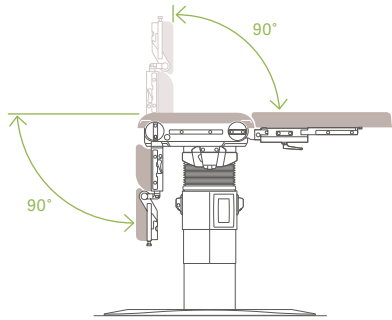
Available versions	
1160.60A0 ¹	Standard version
1160.61A0 ¹	With Trendelenburg adjustment (15°)
1160.62A0 ¹	With height (570–740 mm / 22"–29") and Trendelenburg adjustment (15°)
1160.66A0	Ergo Drive motorized transporter, with height (570–740 mm / 22"–29") and Trendelenburg adjustment (15°)

¹ Mechanically washable

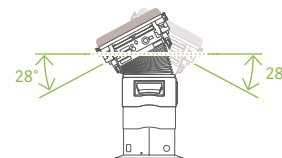
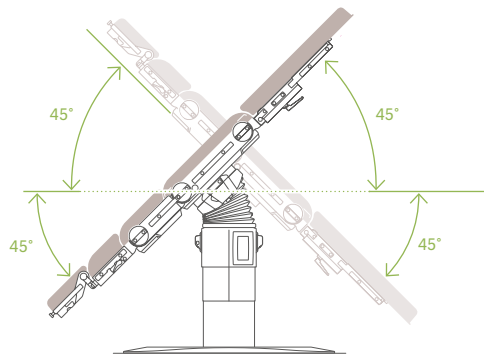
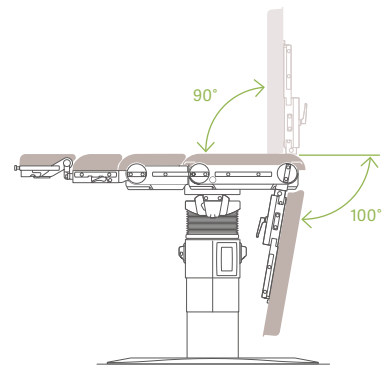
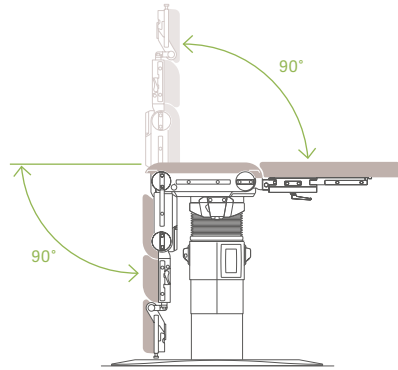
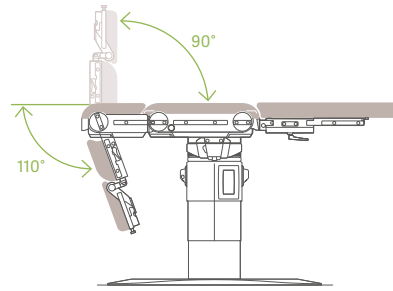
Accessories

Head rests
1160.64 – Head rest single joint articulation
1160.53 – Head rest double joint articulation
Elongation plates
1160.32 – Back plate
1160.55 – Seat plate elongation with gynae cut-out
1160.35 – Trapezoidal back plate with interface for head positioning accessories
Leg plates
1160.50 – 2 pcs. leg plate
1133.73 – 4 pcs. leg plate
Special accessories
1433.34AC – Shoulder plate
1160.45AC – Carbon fiber plate, 1,810 mm, without head rest interface
1160.45BC – Carbon fiber plate, 1,520 mm, with head rest interface
1160.59 – Extension device

Maquet Otesus 1160.10 Table Top



Maquet Otesus 1160.30 Table Top



Carbon fiber table top 1160.16AX

Available versions	
1160.16A0	2,500 mm with head rest interface
1160.16A1	2,800 mm w/o head rest interface
1160.16A2	2,300 mm with head rest interface

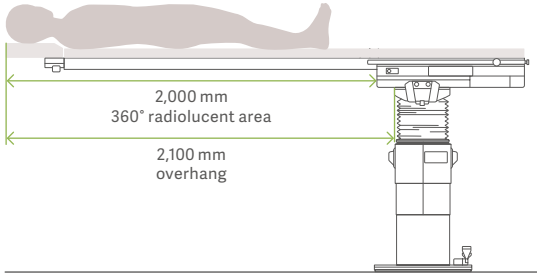
Specifications	1160.16A0	1160.16A1	1160.16A2
Length with head rest	2,800 mm	N/A	2,600 mm
Length without head rest	2,500 mm	2,800 mm	2,300 mm
Longitudinal shift on stationary column	1,200 mm		
Longitudinal shift on mobile column	1,000 mm		
Lateral shift	300 mm		
360° radiotranslucent length	up to 2,000 mm	up to 2,000 mm	up to 1,800 mm
Max. load with head rest	180 kg	N/A	225 kg
Max. load without head rest	250 kg	180 kg	250 kg

Accessories

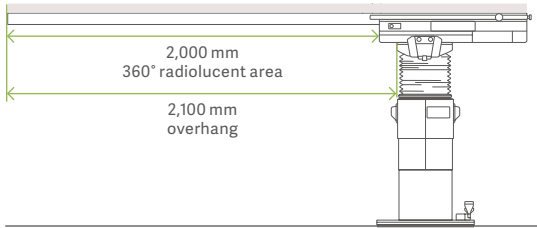
Head rests
1002.82A0 – Rigid head rest
1002.83A0 – Head rest that can be angled
1002.03A0 – Horseshoe head rest
1005.48X0 – Holder for skull clamp

Additional accessories out of the product range of mobile OR table may be adapted. Please check the remarks in the user manual.

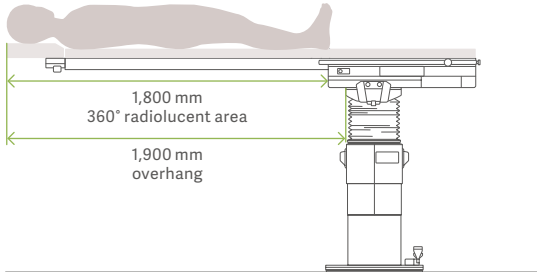
Carbon fiber table top 1160.16AX



1160.16A0 with head rest interface

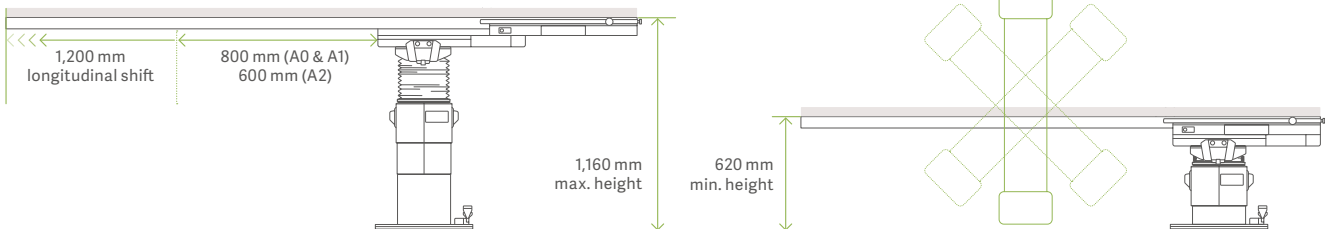


1160.16A1 without head rest interface



1160.16A1 with head rest interface

Features



Technical drawings created with column 1160.01B0

Patient positioning

To ensure the best possible access to the surgical site

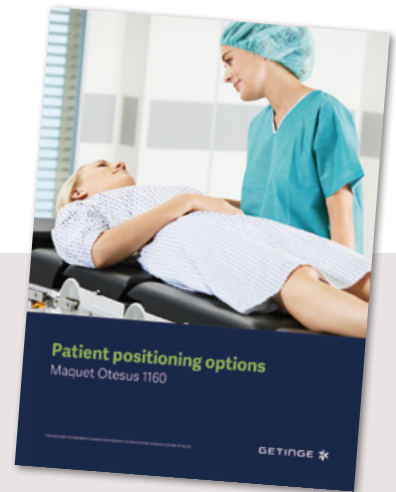
Versatility for a wide range of applications and patients

Optimal positioning not only ensures the best possible access to the surgical site, but also prevents the long-term consequences of nerve damage or pressure ulcers.



Download our patient positioning guide

and learn more about how Maquet Otesus helps minimizing risks for your patients.



Expanding your surgical suite capabilities




This information is intended for an international audience outside the US.

This information is aimed exclusively at healthcare professionals or other professional audiences and are for informational purposes only, is not exhaustive and therefore should not be relied upon as a replacement of the Instructions for Use, service manual or medical advice. Getinge shall bear no responsibility or liability for any action or omission of any party based upon this material, and reliance is solely at the user's risk.

Any therapy, solution or product mentioned might not be available or allowed in your country. Information may not be copied or used, in whole or in part, without written permission by Getinge.

Views, opinions, and assertions expressed are strictly those of the interviewed and do not necessarily reflect or represent the views of Getinge.

© 2024 Getinge | Getinge and **GETINGE**  are trademarks or registered trademarks of Getinge AB, its subsidiaries or affiliates. | DMS-0004525 | All rights reserved.

GETINGE 