



# Elevate equipment management to extraordinarily simple

Maquet Moduevo Ceiling Supply Units

GETINGE 





# Ceiling supply units that work hard

– to keep it simple

With Maquet Moduevo Ceiling Supply Units, clinicians can spend less time accessing or moving equipment, so they have more time for critical patient care.

Moduevo has been designed with a singular purpose in mind: to enhance provider-patient interactions while helping you avoid the clinical, operational, and financial risks associated with the deployment of a ceiling supply unit.

And it does so with extraordinary simplicity, delivering effortless maneuverability in the OR, ICU, ED, and other space-constrained environments—with unprecedented ease in customization, and an uncomplicated approach to future-proof flexibility.

The fact is, in every metric of evaluation—load capacity, arm reach, distributor maneuverability, safety, upgradeability, and value—Moduevo is designed to meet your requirements and expectations today and well into the future.

Because a ceiling boom shouldn't get in the way of your bottom line, but support your ability to improve patient outcomes.



All equipment shown in European configuration



# The best boom solution is one you rarely have to think about

Getinge understands that in a patient-focused environment, your professional staff doesn't have a moment to spare to give a second thought to the equipment and devices they're using. And with Moduevo in the room, they'll rarely have to.

That's because Getinge's design engineers have carefully studied the daily interactions of providers and patients in a wide variety of hospital settings around the world, paying close attention to those

important human factors that have the greatest impact on these encounters.

At the same time, Getinge has closely examined the ways in which staff members work together in a clinical setting, and how they access the boom-based equipment and utilities they use.

Getinge's evidence-enriched approach has resulted in the creation of one of the industry's most intuitive, flexible, and upgradeable ceiling supply units.

Getinge extensively researched what challenges users face on a daily basis—and developed the Moduevo portfolio to meet those challenges.





# Performance, productivity, and risk management

– the advantages are clear

## Easy grab-and-move positioning

Merely grip the handle and advanced-human-touch-sensing technology automatically releases the unit's brakes. In rapid response situations, one is able to quickly reposition the unit with minimal physical effort in a smooth, highly controlled fashion.



## Silent and reliable electromagnetic brakes

An advanced electromagnetic braking system option operates in near silence to help reduce the incidence of patient anxiety that often accompanies unexpected noises in the ICU, ED, or recovery room. Additionally, electromagnetic brakes require minimal maintenance, thereby, reducing the cost of ownership over the extended life of the boom.

## Highly customizable workstations

The distributor design is equipped with Getinge's exclusive Ergonomic Positioning System (EPoS) that lets you easily and quickly attach and position any component or accessory at any height—even brake handles requiring a power supply—without constraint on any mounting position on the distributor.

Just as importantly, workstation elements can be upgraded, repositioned, or reconfigured in a matter of minutes (no unbolting is required) using a common 5 mm Allen wrench with minimal disruption to existing workflows. As a result, Moduevo makes it easier to accommodate the widest range of staff preferences, workflow requirements, and room configurations.



## Hygienic, contamination-resistant design

With no sharp edges, visible screws, exposed rubber, or open channels for fluids to enter, the attractive, seamless design of Moduevo is easy to clean and helps to reduce the incidence of HAIs. To eliminate floor clutter and safety concerns, all distributor gas lines and electrical conduits are fully enclosed within the system. Plus, cord and cable management options help eliminate equipment clutter while further simplifying maintenance.

## Unobtrusive and safe ambient lighting

An innovative system of soft-glow ambient lighting provides a non-disrupting, low-light environment for the convalescing ICU patient while ensuring ample illumination for caregivers working in the room. Just as importantly, the OR ambient lighting reduces distracting glare during MIS and other procedures conducted in low-light conditions.

Optional ceiling lights, side distributor lights, and distributor floor lights can be selectively activated and controlled based on the procedure or patient situation.



## Superior combination of reach and load capacity

Moduevo provides an extra measure of flexibility to position essential equipment and utilities as close to the patient as possible, regardless of procedure or room layout.

Even under the industry-leading maximum gross load (350 kg / 771 lbs.) and radius (3,000 mm), heavy-duty bearing assemblies and mechanical beam design limit deflection to less than one degree—significantly reducing long-term wear by keeping the distributor level, while also ensuring unrestricted maneuverability over the life of the system. With Moduevo, high-load capacity is never compromised by extended reach.

In addition, the oversized internal diameter (121 mm) of Moduevo arm assemblies significantly increases cable and tubing capacity based on the procedure or patient situation.



All equipment shown in European configuration



# More choices, better choices

The flexible, modular design of Moduevo lets you custom-tailor workstation solutions that precisely meet your current requirements, while anticipating the inevitable need for change.

- 1 Standard friction brakes on axis 1, 2, and 3 or optional electromagnetic brakes on axis 1 and 2.
- 2 Fixed or rotary columns; single or double mechanical arms; ENERGY motorized arms for lifting equipment.
- 3 Slim (small), Mezzo (medium), and Twin (large) vertical distributors in lengths of 400 mm to 1,200 mm for arranging outlets and accessories.
- 4 Grab-and-move brake handles with human-touch-sensing technology automatically releases the brakes.
- 5 Wide range of accessories, including multiple width shelves, one or two drawer cabinets, fixed or height-adjustable monitor holders, cable management, IV poles, and baskets.
- 6 ENERGY or CARGOLIFT options for the Twin distributor for lifting anesthesia machines off the floor.
- 7 Ergonomic Positioning System (EPoS) allows components and accessories to be easily added, removed, and freely positioned at any height.
- 8 100 mm to 1,000 mm suspension tube lengths for distributors help ensure optimal height and ergonomic access to devices regardless of application.
- 9 Light- or heavy-profile single or double arms from 600 mm to 1,500 mm in length with a maximum axis-to-axis reach of 3,000 mm.

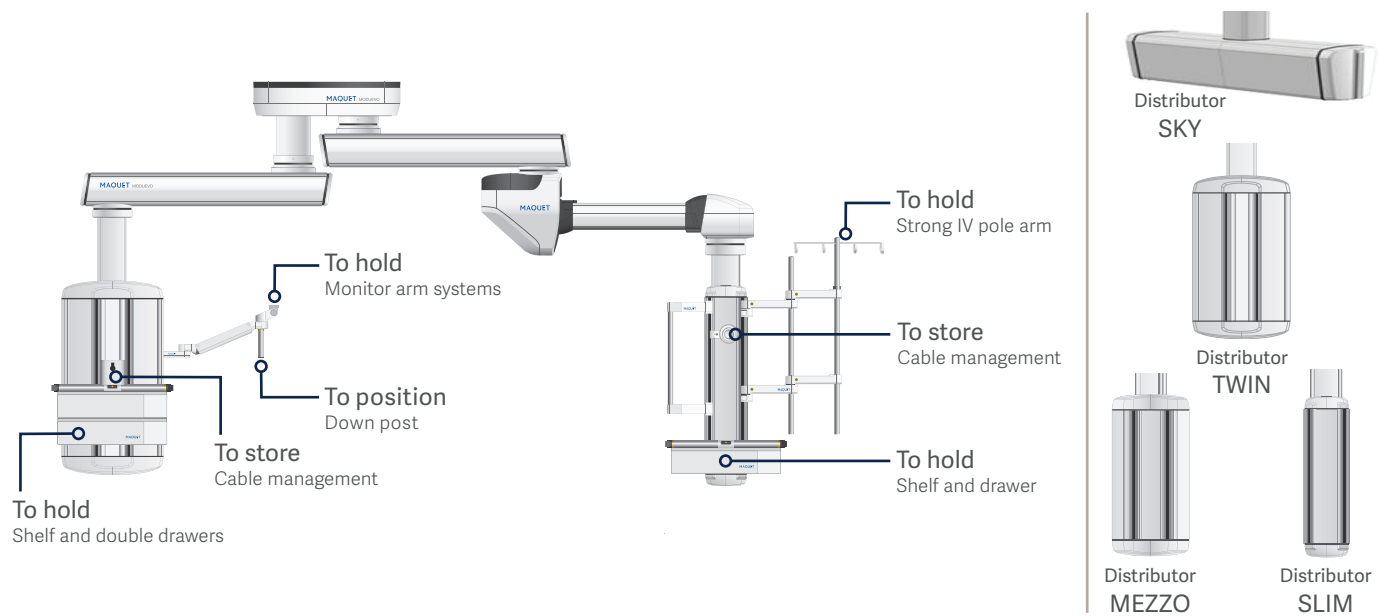
Also available is the M-Shift infusion system, not shown in image, for easy and fast transferring of IV poles holding bags and pumps from boom to bed in the ICU.

The number one priority for healthcare professionals is the patient. As a highly ergonomic and efficient solution, Moduevo allows for the focus to be on the patient rather than the equipment.





# Technical Data and Accessories



## Moduevo arms specifications

Configuration	6-0	9-0	12-0	15-0	6-6	9-6	9-9	12-6	12-9	12-12	15-12	15-15
Minimum action radius (mm/in.)	749/29.4	1,049/41.2	1,349/53.1	1,649/64.9	1,347/53	1,647/64.8	1,947/76.7	1,947/76.7	2,247/88.5	2,547/100.3	2,847/112.1	3,147/123.9
Light arm gross loading (kg/lbs.)	350/771	350/771	300/661	240/529	296/653	239/527	200/441	197/434	167/368	143/315	121/266	104/229
Heavy arm gross loading (kg/lbs.)	N/A	N/A	350/771	350/771	350/771	350/771	350/771	N/A	298/657	259/571	225/496	199/439

## Moduevo motorized arms ENERGY specifications

Configuration	0-10	6-10	9-10	12-10	15-10
Minimum action radius (mm/in.)	1,151/45.3	1,751/68.9	2,051/80.8	2,351/92.6	2,651/104.4
Light arm gross loading (kg/lbs.)	N/A	150/331	150/331	130/286	N/A
Medium arm gross loading (kg/lb.)	220/485	220/485	220/485	220/485	210/463
Loading capacity of docking pin (kg/lbs.)	180/397	180/397	180/397	180/397	150/331
Vertical movement (mm/in.)	710/28	710/28	710/28	710/28	710/28

## Moduevo CARGOLIFT specifications

Configuration	6-0	9-0	12-0	15-0	6-6	9-6	9-9	12-9	12-12
Minimum action radius (mm/in.)	749/29.4	1,049/41.2	1,349/53.1	1,649/64.9	1,347/53	1,647/64.8	1,947/76.7	2,247/88.5	2,547/100.3
Light arm gross loading (kg/lbs.)	350/771	341/750	278/612	N/A	272/598	N/A	N/A	N/A	N/A
Loading capacity of docking pin (kg/lbs.)	280/617	280/617	208/458	N/A	200/440	N/A	N/A	N/A	N/A
Heavy arm gross loading (kg/lbs.)	N/A	350/771	350/771	350/771	350/771	350/771	326/718	280/617	247/544
Loading capacity of docking pin (kg/lbs.)	N/A	280/617	280/617	280/617	280/617	280/617	240/529	205/451	175/385
Vertical movement (mm/in.)	400/15.7	400/15.7	400/15.7	400/15.7	400/15.7	400/15.7	400/15.7	400/15.7	400/15.7

## Moduevo Distributor specifications

Distributor	SKY			TWIN				MEZZO				SLIM			
Distributor sizes (mm/in.)	470/18	670/24	870/34	400/15.7	600/23.6	800/31.5	1,200/47.2	400/15.7	600/23.6	800/31.5	1,200/47.2	400/15.7	600/23.6	800/31.5	1,200/47.2
Number of panels	3	3	3	6	6	6	6	5	5	5	5	3	3	3	3
Electrical sockets per panel	6/5*	10/5*	14/7*	2	4	6	9	2	4	6	9	2	4	6	9
Gas sockets per panel	6/3*	8/4*	11/6*	3	5	7	11	3	5	7	11	3	5	7	11

\*Side panel/bottom panel

# A trusted partner

Making better decisions: Getinge has more than 175 years of healthcare experience. Working with industry experts, architects, planners, and healthcare professionals from around the world, we provide customized clinical environments to help you improve workflow, boost productivity, and enhance patient care.

Our extensive knowledge and experience ranges from one-room renovations to complete department design and complicated Hybrid ORs. We start with a complete assessment and analysis of space and equipment, including work requirements, ergonomics, staffing levels, and patient volume. Our design recommendation takes many important factors into consideration, such as hospital communication systems, staff, and patient flow, and flexibility to facilitate vertical or horizontal expansion.

Getinge's Design Group utilizes OR3D software in our facility planning and design, and our project management team is with you throughout the entire project from planning, install, and to final sign-off.

With Getinge you have a partner throughout the product life-cycle. Getinge Care Service provides customer support around the clock, 365 days a year, to diagnose and troubleshoot problems, order parts, and dispatch service technicians when needed. Our certified Getinge Technicians are factory trained and will maintain your equipment in peak operating condition helping to limit costly downtime for your facility.

We offer a variety of Getinge Care Service Plans that will ensure that Getinge Technicians, using tested OEM parts, will keep you on schedule for preventative maintenance (PM) and repairs. We can offer the right Plan designed to meet your facility and budgetary requirements, delivering cost predictability for better budget planning and simplified administration.

## OR3D software rendering of OR room design



### Schedule a personal consultation today

Getinge surgical workflow professionals are available to help you design the most cost efficient ceiling supply unit solution to meet your current and anticipated functional requirements.

**Call (888) 9GETUSA to learn more and arrange a personal consultation.**



Getinge is a registered trademark of Getinge AB, its subsidiaries, or affiliates in the United States or other countries  
Copyright 2020 Getinge AB or its subsidiaries or affiliates · All rights reserved.

**Manufactured by: Maquet (Suzhou) Co., Ltd.** · No.158 Fangzhou Road, Suzhou, P.R. China 215024 · +86 (0) 512 62839880

**Sales Office** · Getinge · 1 Geoffrey Way · Wayne, NJ 07470 · Phone: (888) 9GETUSA

**Sales Office, Canada** · 90 Matheson Blvd. West, Suite 300 · Mississauga, Ontario, L5R 3R3 · Canada

[www.getinge.com](http://www.getinge.com)

MCV00055385 REVC  
EXP06/22